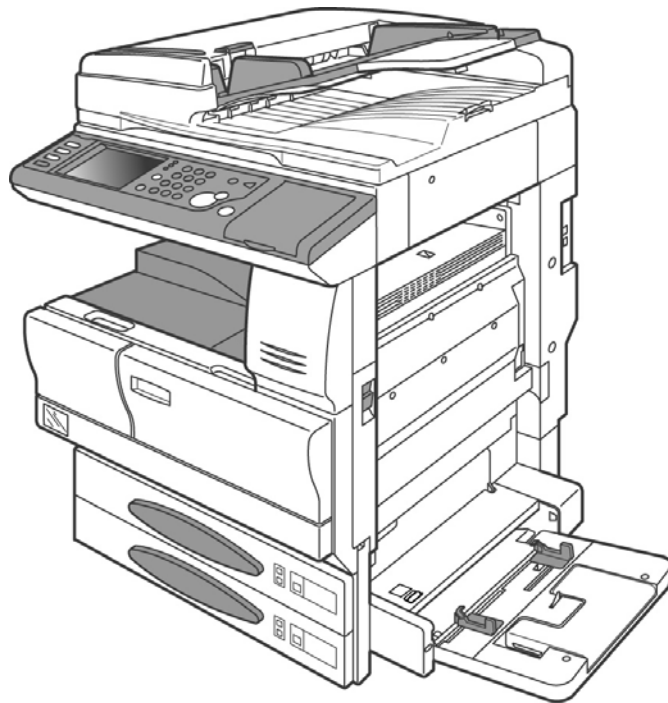


MFX-2350

MFX-2350D

Dynamic Digital Document Delivery

The new MFX-2350 from Muratec is a feature-rich segment two device that combines powerful digital document delivery with high-performance digital copying.



Key Specifications:

- 100-Sheet Automatic Document Feeder
- Single pass duplex scanning
- High-speed Ethernet connectivity (DHCP Compliant)
- Network & local PC printing
- Duplex printing (D models only)
- High-resolution scan to folder, e-mail and FTP
- Walk-up fax, Internet fax & desktop fax functionality
- LDAP support (fax & e-mail)
- Low cost-of-operation

Features & Benefits

Powerful Digital On-ramp

- 100-sheet automatic document feeder (ADF) enables copying, scanning, or faxing large jobs without having to break them into multiple sets.
- Ledger-size platen glass enables the copying, scanning, or faxing of documents that cannot be fed through the ADF.
- Card copy mode allows for the capture of two-sided identification cards or checks onto a single sheet of paper.
- Single pass duplex scanning captures two-sided originals in a single pass, thus increasing scan efficiency while reducing paper jams and roller wear.
- Scan documents in high-resolution to network folders, e-mail addresses and/or FTP sites.
- Automatic mixed original detection will recognize if letter/legal documents have been combined in the ADF and then scan them accordingly.

Customized Output Solutions

- Two 500-sheet cassettes come standard, each capable of handling letter, legal or ledger sized media.
- Standard 150-sheet multipurpose bypass tray allows for convenient printing of labels, envelopes, letterhead, transparencies, and more.
- Large storage cabinet (only available w/standard configuration).
- Optional paper supplies include:
 - Two 500-sheet paper cassettes (Letter, Legal, Ledger).
 - One 500-sheet paper cassette with small storage cabinet (Letter, Legal, Ledger).
 - One 2,500-sheet large capacity cassette (Letter only).
- Standard electronic sorting.
- Optional 3-position staple finisher can staple up to 50 sheets and allows for shift-sort job separation.
- Optional 2-position hole punch kit.

Intuitive operation

- Large, back-lit touch screen quickly navigates users through job setup and execution.
- Customizable "soft keys" allow users to customize the default screens with the features they utilize most often.
- Interactive voice guidance system provides step-by-step instruction for paper jam removal, machine setup, job execution, and more.
- Macro keys allow users to consolidate lengthy job commands, or perform functions such as folder shortcut grouping, into a single executable command.

Network Navigator

- Digitally deliver documents to network folders, e-mail addresses, FTP sites and/or fax terminals—all at the touch of a button!
- Customize outgoing e-mail transmissions with a specific file name, subject line, text message and network attachment (SPAM prevention).
- Share a centralized printing resource to reduce operating costs.
- DHCP compliant for instant network connection (static assignment also supported).
- LDAP directory support for server-based contact access (Microsoft Active Directory, OpenLDAP)
- Browser-based MFP management enables machine programming, status monitoring, and workflow creation from a PC.

Specifications – MFX-2350

GENERAL	
Classification	Segment 2
Print Speed	23 pages per minute
Duplex Speed	12 pages per minute
Control Panel	Touchscreen
Document Feeder*	100 Sheets
Standard Paper Capacity**	1,150 Sheets
Max. Paper Capacity	3,650 Sheets
Cassette Paper Weight	16-24 lb.
Bypass Paper Weight	15 to 53 lb.
Automatic Tray Change	Standard
Output Tray Capacity	500 Sheets
Max. Original Size	11" x 17"
Duplex Scanning	Standard Single Pass
Color Scanning	Standard (MFX-2850 Only)
Duplex Printing	Standard on D-models
Mixed-Original Detection	Standard
Staple Finishing	Optional (3 position)
Staple Limit	50 sheets
Finisher Output Capacity	1,200 sheets
Off-set Stacking	Standard w/ Staple Finisher
Electronic Sorting	Standard
Punch Finisher	Optional (2 position)
Auto. Image Adjustment	Standard
Usage Counter	Print & Scan
Dimensions (W x D x H)	26.7" x 25.9" 33.7"
Weight (in pounds)	177.25
Toner Yield	17,500 @ 6% page coverage

Drum Yield	70,000
MFP Memory Std/Max	128 MB
Ethernet Connection	Standard 10/100 BaseT, RJ-45 connection
Network Protocol	TCP/IP
DHCP Compliant	Standard
Local PC Connection	Standard USB

COPY

First Copy Out Time	5 seconds
Warm-up Time	17 seconds
Platen Glass	11" x 17"
Copy Scan Speed (FBS)	1.6 spp
Copy Scan Speed (ADF)	1.6 spp
Job Program	10 jobs
Number of Copies	1-999
Image Combination	2:1, 4:1, 8:1
Magnification	25-400% in 1% increments
Macro Program Keys	6
Special Copy Functions	Card Copy, Auto/Text/Photo Modes, Positive/Negative Image Reverse, Book Copy, Image Erase, Image Repeat, XY Zoom

SCAN

Scan Resolution	600 x 600 dpi
Grayscale	256 levels
Scan to E-mail	Standard, direct, or one-touch
File Formats	TIFF, PDF

Scan to FTP	Standard, direct, or one-touch
Scan to Folder	Standard, direct, or one-touch (SMB)

PRINT

OS Support	Win 98SE, Me, NT 4.0, 2000, XP, 2003
Page Description Language	Standard Windows GDI, Optional PCL6
Driver Installation	Client or Server

FAX

Modem Speed	33.6 Kbps
Max. Compression	JBIG
Dual Line	Optional 33.6 Kbps
Max. Transmission Speed	2 spp
Default Scan Speed	0.8 spp
Document Memory Back-Up	34 hours
MFP Address Book	500 locations
OfficeBridge Address Book	2,000 locations
Fax/E-Mail Mixed Transmission	Standard (OfficeBridge Address Book Only)
LDAP Directory Support	Standard
Special Fax Functions	Broadcasting, Group Tx, Cover Page, Confirmation Report, Batch TX, Error Correction

*Based on letter-sized paper

**Based on letter-sized paper. Figure includes 150-sheet multipurpose bypass tray.



As an ENERGY STAR® partner, Muratec America, Inc. has determined that this product meets the ENERGY STAR® guidelines for energy efficiency.

Muratec, the Muratec logo and all Muratec product and feature names are trademarks of Muratec, America, Inc. ENERGY STAR® is a registered trademark of the U.S. Environmental Protection Agency. All specifications subject to change without notice.



Muratec America, Inc.
3301 East Plano Parkway, Suite 100, Plano, Texas 75074
For more information on Muratec products call (469) 429-3300
or visit our website at www.muratec.com